

Produktinformation

Monitoring Relay MR50



- Input standard signals 0/4..20 mA, 0/2..10 V DC
- Measuring range programmable
- Max. 4 alarm outputs
- Isolated analog output 0/4..20 mA, 0/2..10 V DC

Characteristics

The Monitoring Relay MR50 has inputs for industry standard signals 0/4..20 mA and 0/2..10 V DC. Measuring value and programmed unit are shown in the display. The integrated transmitter supply offers direct connection of loop powered sensors. Simple programming, up to 4 alarm outputs (SPDT) and optional available fully isolated free programmable analog output 0/4..20 mA; 0/2..10 V DC meets the demand for different applications.

Technical data

Power supply

Supply voltage : 230 V AC $\pm 10\%$, 115 V AC $\pm 10\%$, or 24 V DC $\pm 15\%$

Power consumption : max. 5 VA

Operating

temperature : $-10..+55\text{ }^{\circ}\text{C}$

CE-conformity : EN 61326-1:2013

EN 60664-1:2007

Input

: 0/4..20 mA; 0/2..10 V DC

Ri : current 10 Ω ,
voltage 10 k Ω

Fault detection : break of wire

Accuracy : $<0,1\%$, ± 1 Digit

Transmitter supply : 24 V DC max. 30mA

Outputs

Relay SPDT : $< 250\text{ V AC } < 250\text{ VA } < 2\text{ A}$
 $\cos\phi \geq 0,3$, $< 300\text{ V DC } < 40\text{ W } < 2\text{ A}$

Analog output : 0/4..20 mA, burden $\leq 500\ \Omega$;
0/2..10 V burden $> 500\ \Omega$, isolated,
output changes automatically
(burden dependent)

Accuracy : 0.2 %; TK 0.01 %/K

Fault function at break of wire:

→ Analog output : 0 mA, $< 3.6\text{ mA}$ or $> 21.5\text{ mA}$

→ Alarm contact(s) : min. or max. programmable

Display

: graphic LCD-display with 128 x 64 Pixel,
and white back-light

Case

: Polyamide (PA) 6.6, UL94V-0
acc. to DIN EN 60715

Weight

: approx. 450 g

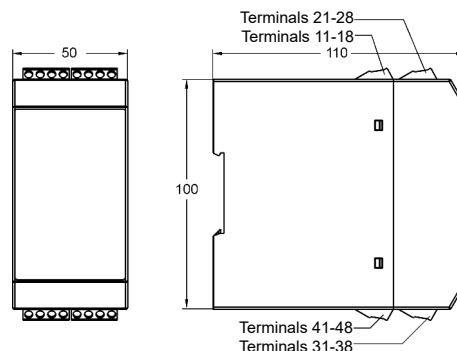
Connection

: screw terminals 0.14..2.5 mm²
(AWG 26..14)

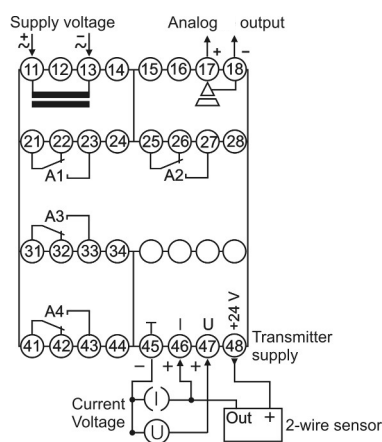
Protection class

: case IP30, terminals IP20, BGV A3

Dimensions



Connection diagram



Ordering code

MR50 - - - - - -

1. Input	
1	standard signals 0/4..20 mA, 0/2..10 V DC, transmitter supply 24 V DC, max. 30 mA
2. Alarm output A1, A2	
2R	2 relays SPDT
3. Alarm output A3, A4	
00	not installed
2R	2 relays SPDT
4. Analog output	
00	not installed
AO	0/4..20 mA, 0/2..10 V DC
5. Supply voltage	
0	230 V AC, $\pm 10\%$ 50-60 Hz
1	115 V AC, $\pm 10\%$ 50-60 Hz
5	24 V DC, $\pm 15\%$
6. Options	
00	without option